

No guarantee can be given in respect of this translation. In all cases the latest German-language version of this Standard shall be taken as authoritative.

Pipe Joints and Elements for High Density Polyethylene (HDPE) Pressure Pipelines

Types 1 and 2
Injection Moulded Tee Pieces for Socket-welding
Dimensions

DIN
16 963
Part 9

Rohrverbindungen und Rohrleitungsteile für Druckrohrleitungen aus Polyethylen hoher Dichte (HDPE), Typ 1 und 2;
T-Stücke aus Spritzguss für Muffenschweissung, Masse

Dimensions in mm

1 Scope

This Standard applies to injection moulded 1) tee pieces of high density polyethylene (HDPE) types 1 and 2 which are socket-welded with a heating element to pipes of HDPE types 1 and 2 in accordance with DIN 8074 Part 1 or Part 2. The tee pieces must conform to the requirements of DIN 16963 Part 5 or Part 25 *).

Note: Instead of the designation "Hard polyethylene (hard PE)", this Standard uses the designation "High density polyethylene (HDPE)" in accordance with DIN 7728 Part 1, April 1978 edition.

The previously used code designation "Hard polyethylene (hard PE)" may, however, continue to be used during the transitional period (e.g. the service life of the stamping tools for marking pipes and pipe elements).

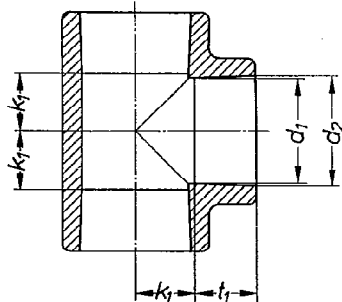
2 Other relevant Standards

- DIN 2999 Part 1 Whitworth threads for screwed pipes and fittings; straight internal threads and tapered external threads, thread dimensions
- DIN 8074 Part 1 Hard polyethylene (hard PE) pipes; type 1, dimensions
- DIN 8074 Part 2 High density polyethylene (HDPE) pipes; type 2, dimensions
- DIN 16963 Part 5 Pipe joints and elements of hard polyethylene (hard PE) for pressure pipelines; type 1, general quality requirements, testing
- DIN 16963 Part 25 (at present still in draft form) Pipe joints and elements of high density polyethylene (HDPE) for pressure pipelines; type 2, general quality requirements, testing

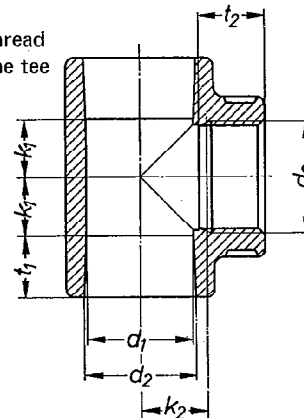
3 Dimensions, designation

The tee pieces do not have to conform to the illustrations; only the specified dimensions must be adhered to.

Type T 3
Tee piece



Type T 3 G
Tee piece with thread on the stem of the tee (reinforced)



Designation of a tee piece T 3 for socket-welding type A with external pipe diameter $d = 25$ mm for pipe series 3 of HDPE, type 1:

Tee piece DIN 16963 - T 3 A 25 - 3 - 1

For external pipe diameters $d = 16$ mm and $d = 63$ mm, the tee pieces must only be designated in accordance with type A.

*) At present still in draft form

1) For the term injection moulded see DIN 16700

Continued on pages 2 and 3
Explanations on page 3

Translation
Technical Help to Exporters
Service of BSI

External diameter of pipe per. dev. d	without peeling the pipe end		$d_{1,2}^{3)5)}$		per. dev.		Out-of-roundness $\delta_1^{7)}$	per. dev.		$d_{3,8)}$	$t_{1,3)5)}$ min.		$t_2^{4)}$	$k_{1,6)}$ Type T3 T3G min.	$k_{2,9)}$ Type T3G min.
	Type A	Type B	Type A	Type B	Type A	Type B		Type A	Type B		Type A	Type B			
16	$+0,3$ $-0,2$	0 $-0,2$	15,4		0 $-0,3$		0,4	15,5		R $\frac{3}{8}$	13	11,4	9	13	
20	$+0,3$ $-0,2$	0 $-0,2$	19,3		0 $-0,3$		0,4	19,5		R $\frac{1}{2}$	14,5	15	11	13	
25	$+0,3$ $-0,2$	0 $-0,2$	24,3		0 $-0,4$		0,4	24,5		R $\frac{3}{4}$	16	16,3	13,5	16	
32	$+0,3$ $-0,2$	0 $-0,2$	31,3		0 $-0,4$		0,5	31,5		R1	18	19,1	17	19	
40	$+0,3$ $-0,2$	0 $-0,2$	39,2		0 $-0,4$		0,5	39,45		R1 $\frac{1}{4}$	20,5	21,4	21	23	
50	$+0,4$ $-0,2$	0 $-0,2$	49,2		0 $-0,5$		0,6	49,45		—	23,5	—	26	—	
63	$+0,4$ $-0,3$	0 $-0,3$	62,1		0 $-0,5$		0,6	62,5		—	27,5	—	32,5	—	
75	$+0,5$ $-0,3$	0 $-0,3$	73,7	73,95	0 $-0,6$	0 $-0,5$	1	74,9	74,25	—	30	—	38,5	—	
90	$+0,6$ $-0,3$	0 $-0,3$	88,5	88,85	0 $-0,6$	0 $-0,6$	1	89,9	89,2	—	33	—	46	—	
110	$+0,6$ $-0,4$	0 $-0,4$	108,3	108,65	0 $-0,6$	0 $-0,6$	1	110	109,05	—	37	—	56	—	
125	$+0,6$ $-0,4$	0 $-0,4$	123,2	123,5	0 $-0,6$	0 $-0,6$	1	125	123,95	—	40	—	76,5	—	

2) The mean internal socket diameters are determined from the arithmetical mean of two internal socket diameters measured at right angles to each other.

3) For type A and B $d \leq 63$ mm: $t_1 = 0,3 d + 8,5$ mm

For type A $d \geq 75$ mm: $t_1 = 0,2 d + 15$ mm

For type B $d \geq 75$ mm: $t_1 = 0,3 d + 8,5$ mm

4) Lower limit of size t_2 ; corresponds to the maximum dimension of the effective thread length in accordance with DIN 2999 Part 1

5) Corresponding to ISO 138 N 787 and 789

6) Corresponding to ISO 264 — 1976

7) Out-of-roundness is the difference between the measured maximum and minimum internal socket diameters.

8) In accordance with DIN 2999 Part 1

257

Further Standards

- DIN 7728 Part 1 Plastics; symbols for homopolymers, copolymers and polymer compounds
- DIN 8075 Part 1 Hard polyethylene (hard PE) pipes; type 1, general quality requirements, testing
- DIN 8075 Part 2 High density polyethylene (HDPE) pipes; type 2, general quality requirements, testing
- DIN 16963 Part 1 Pipe joints and elements of high density polyethylene (HDPE) for pressure pipelines; types 1 and 2, pipe bends of segmental construction for butt-welding, dimensions
- DIN 16963 Part 2 (at present still in draft form) Pipe joints and elements of high density polyethylene (HDPE) for pressure pipelines; types 1 and 2, tee pieces and branch connections of segmental construction with necked ends for butt-welding, dimensions
- DIN 16963 Part 3 Pipe joints and elements of high density polyethylene (HDPE) for pressure pipelines; types 1 and 2, pipe bends for butt-welding, dimensions
- DIN 16963 Part 4 (at present still in draft form) Pipe joints and elements of high density polyethylene (HDPE) for pressure pipelines; types 1 and 2, bushes, flanges and seals for butt-welding, dimensions
- DIN 16963 Part 6 (at present still in draft form) Pipe joints and elements of high density polyethylene (HDPE) for pressure pipelines; types 1 and 2, injection moulded fittings for butt-welding, dimensions
- DIN 16963 Part 7 (Preliminary Standard) Pipe joints and elements of high density polyethylene (HDPE) for pressure pipelines; types 1 and 2, injection moulded fittings for resistance-welding, dimensions
- DIN 16963 Part 8 Pipe joints and elements of high density polyethylene (HDPE) for pressure pipelines; types 1 and 2, injection moulded elbows for socket-welding, dimensions
- DIN 16963 Part 10 Pipe joints and elements of high density polyethylene (HDPE) for pressure pipelines; types 1 and 2, injection moulded sockets and caps for socket-welding, dimensions
- DIN 16963 Part 11 Pipe joints and elements of high density polyethylene (HDPE) for pressure pipelines; types 1 and 2, bushes, flanges and seals for socket-welding, dimensions
- DIN 16963 Part 12 (Preliminary Standard) Pipe joints and elements of high density polyethylene (HDPE) for pressure pipelines; types 1 and 2, injection moulded reducing sockets for joining resistance-welded fittings, dimensions
- DIN 16963 Part 13 Pipe joints and elements of high density polyethylene (HDPE) for pressure pipelines; types 1 and 2, turned and pressed reducing sockets for butt-welding, dimensions
- DIN 16963 Part 14 (at present still in draft form) Pipe joints and elements of high density polyethylene (HDPE) for pressure pipelines; types 1 and 2, injection moulded reducing sockets and nipples for socket-welding, dimensions

Explanations

It was necessary to make a distinction between the socket dimensions owing to differences in methods of welding as regards the preliminary treatment of the pipe end surfaces to be welded.

This led to their division into the two types A and B. Fundamental work by the ISO working group TC 138/GAH 2/4 on these two methods was embodied in Doc. ISO 138 N 787 and 789.

This Standard has been drawn up on the basis of these documents.